

Deluxe Oval shape Sliding Turnstile Model:JS-PYZ008



General Information:

Karsun sliding speed gates provide aesthetic and effective control of entry or exit at kinds of toll collection systems like train/metro stations, and access control for commercial centers, stadiums, schools, government and private sector buildings etc.

PYZ008 deluxe oval shape sliding speed gate are compact and cost-effective entrance solutions. Designing for smooth and silent operation, reducing power consumption, wear and tear. It is suitable for areas with a high traffic volume.

Application:

Using sliding turnstiles is a popular choice when checking tickets at sports stadiums, amusement parks, and university facilities. They eliminate the need for attendants at entrances and provide a means to count the number of pedestrians entering into a facility. These turnstiles paired with card readers and electronic operation are the most popular choice for subway systems and can be found in most of them.

Access Control System (Optional)



SWIPE CARD
Access with authorized card and payment card swipe to open the gate



IRIS RECOGNITION
Use the authorized eyes of Iris Recognition to pass through the entry gates



FINGERPRINT RECOGNITION
Access with authorized fingerprint authentication



PALM VEIN RECOGNITION
Use authorized palm vein recognition to pass into



COIN/TICKET
Use disposable coins to enter



FACE RECOGNITION
Use authorized face recognition to enter



QR CODE
Scan in with authorization QR code and barcode



MANUAL OPERATION
Manual use of wired and wireless to open gates for entry

Features



- Appearance**
- High end appearance,
- Main body and lateral lids are AISI 304-grade stainless steel.
- Top lid:Black acrylic panel
- Flap panel:Acrylic/tempered,10mm thickness
- IR sensor:6 pairs(can be customized)



- Drive technology**
- Brushless servo motor ensures the longer lifespan and smooth and durable running
- Self developed mainboard,ARM controltech
- Famous brand electrical components



Safety and User-Orientated Design

- 1.2/1.5/1.8m high retractable glass door for strict access control.
- Precise and durable mechanisms for mass traffic application sites.
- Humanized indicator lights and voice prompts



- Anti-follow
- Anti-climb/creep
- Anti-panic
- Anti-pinch

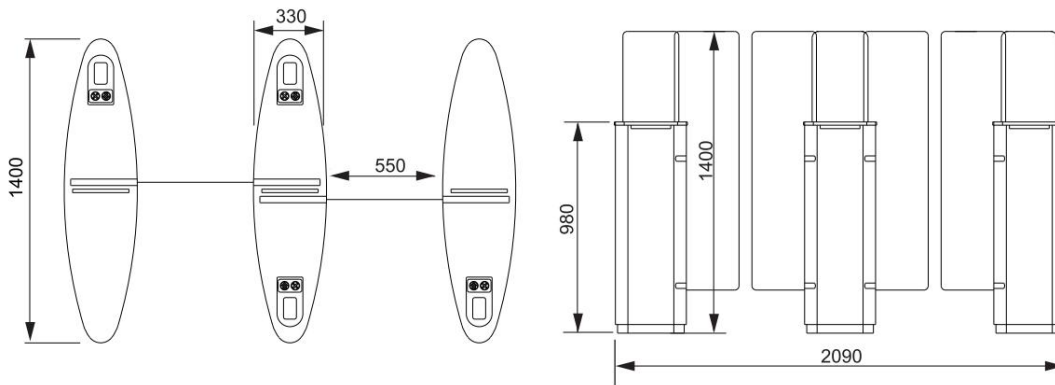
Easy Integration

- Defaulted with card swiping window covered with black acrylic panel.
- Wide compatible to various recognition methods available
- Communication interface:Relay signal.
- Standard electrical interface for third party device.

KARSUN provides not only turnstile system but also complete solutions for our customers,for instance,online/offline ticketing/ attendance /visitor management/EU green pass and etc.



Measurement:



Brand name	KARSUN
Mechanism part	Connecting rod structure
Motor type	DC brushless motor/Servo motor
Flow rate	30-40people/minute(
Passage width(mm)	650-900m
Rated Power	80W
Cabint material	SUS 304;1.5mm thickness
Infrared sensor	6 pairs
Glass panel height(mm)	800-1500mm
Input/Output signal	dry contact/relay signal
Dimension	1600*300*1000mm
IR sensor(pair)	6 (defaulted)
Net weight	70KG
Gross weight	73KG
IP	IP44
Operating Temperature	-28 °C- 60 °C
Operating Humidity	5%-85%
Working Environment	Indoor/Outdoor covered
Voice prompt	Yes